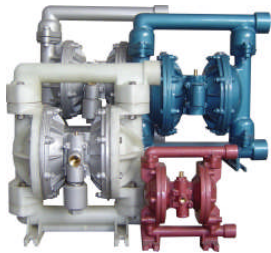
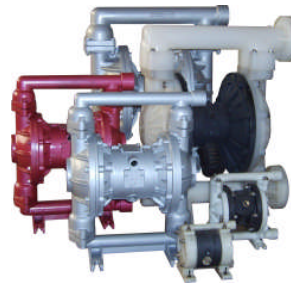


Performance summary



QBY Series



QBK Series

QBY/QBK air operated diaphragm pumps not only can exhaust the flow liquid, but also can convey some uneasy flowed medium, with the merits the merits of self-pumping pump, diving pump, shield pump, slurry pump and impurity pump etc.

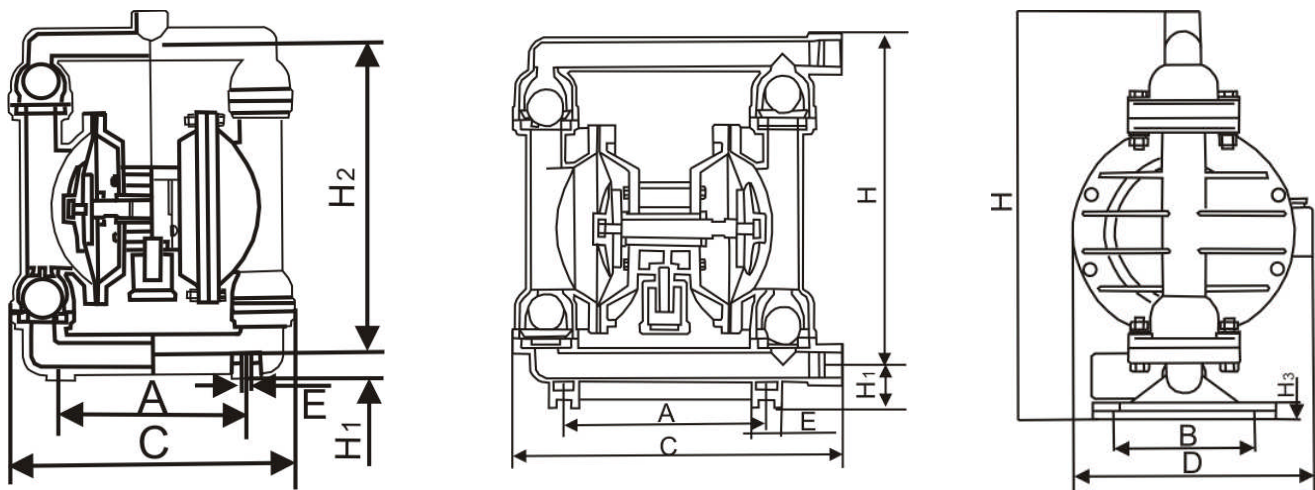
1. It's unnecessary to pour the drawing water, the suction lift reaches 5 m height, the delivery lift reaches 70 m length and the export pressure ≥ 7 bar.
2. Wide flow and good performance. The diameter allowed to pass the max grain reaches 10mm. The damage is very less to the pump while exhausting the slurry and impurity.
3. The delivery lift and flow can pass the pneumatic valve open to realize the step less adjustment (the pneumatic pressure adjustment is between 1-7 bar).
4. This pump has no rotary parts and no bearing seals. The diaphragm will completely separate the exhausted medium and pump running parts, working medium. The conveyed medium can't be leaked outside. Thus it will not cause the environmental pollution and human body safety dangerous while exhausting the toxin and flammable or corrosive medium.
5. No electricity. It's safe and reliable while using in the flammable and explore places.
6. It can be soaked in medium.
7. It's convenient to use and reliable to work. Only open or close the gas valve body while starting or stopping. Even if no medium operation or pausing suddenly for long time because of accident matters, the pump will not be damaged caused by this. Once over-loading, the pump will automatically stop and possesses the self protection function. When the load recovers normally, it also can start automatically.
8. Simple structure and less wearing parts. This pump is simple in structure, installation and maintenance. The medium conveyed by the pump will not touch the matched pneumatic valve and coupling lever etc. Not like other kinds pumps, the performance will drop down gradually because of the damages of rotor, gear and vane etc.
9. It can transmit the adhesive liquid (the viscosity is below 10000 centipoises).
10. This pump needn't the oil lubricant. Even if idling, it has any influence to the pump. This is a characteristic of this pump.

General Specification

Type	Suction		Discharge		Type of Connection				Material of pump body				
	inc	mm	inc	mm	NPT	BSPT	ASNI Flange	DIN Flange	Cast Iron	Aluminum Alloy	Stainless Steel	Engineering Plastic	Rubber Lining
QBK-8	5/16	8	5/16	8	●	●	-	-	●	●	●	●	-
QBY/K-10	3/8	10	3/8	10	●	●	-	-	●	●	●	●	-
QBY/K-15	1/2	15	1/2	15	●	●	-	-	●	●	●	●	-
QBY/K-25	1	25	1	25	●	●	-	-	●	●	●	●	●
QBY/K-40	1½	40	1½	32	●	●	-	-	●	●	●	●	●
QBY/K-50	2	50	2	50	-	-	●	●	●	●	●	-	●
QBY/K-65	2½	65	2½	65	-	-	●	●	●	●	●	-	●
QBY/K-80	3	80	3	80	-	-	●	●	●	●	●	-	●
QBY/K-100	4	100	4	100	-	-	●	●	●	●	●	-	●

“●”----have “-”----have not

Main External Dimension



Tables of setting data: mm

Type	A	B	C	D	E	H1	H2	H3	H
QBK-8	135	48	218	144	12	34	176	10	226
QBY/K-10	135	48	218	144	12	34	176	10	226
QBY/K-15	135	48	218	144	12	34	176	10	226
QBY/K-25	236	145	381	248	12	46	344	18	412
QBY/K-40	236	145	381	248	12	50	348	18	428
QBY/K-50	320	220	518	347	14	50	521	27	609
QBY/K-65	320	220	494	347	14	99	526.4	50	718
QBY/K-80	360	240	634	455	18	96	696	50	842
QBY/K-100	360	240	574	455	18	120	719	50	953.5

The dimension for the flange is designed in accordance with the relevant standard, and it can be specified as the customers' requirement.

Main Specifications

Type	Max Flow Rate (L/Min)	Discharge Pressure (Bar)	Sucked Lift (m)	Max Grain Diameter (mm)	Max Air Consumption (L/min)	Material Of Diaphragm				
						Buna-N	Neoprene	EPDM	Viton	Teflon
QBY/K-8	13	7	0-5	1	300	●	●	●	●	●
QBY/K-10	16	7	0-5	1	300	●	●	●	●	●
QBY/K-15	20	7	0-5	1	300	●	●	●	●	●
QBY/K-25	100	7	0-5	2.5	600	●	●	●	●	●
QBY/K-40	140	7	0-5	4.5	600	●	●	●	●	●
QBY/K-50	240	7	0-5	8	900	●	●	●	●	●
QBY/K-65	280	7	0-5	8	900	●	●	●	●	●
QBY/K-80	400	7	0-5	10	1500	●	●	●	●	●
QBY/K-100	480	7	0-5	10	1500	●	●	●	●	●